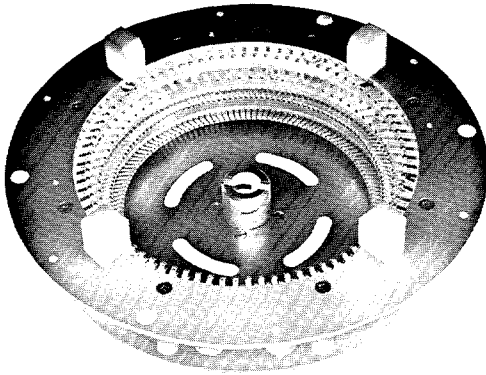




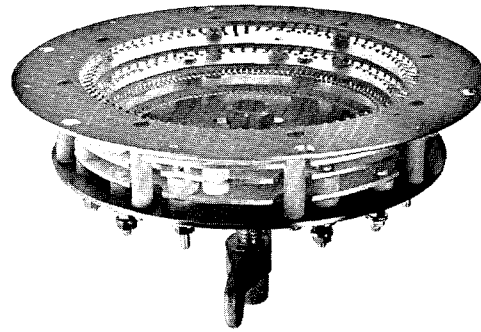
TECHNICAL DATA

SK-1500A
SK-1510A
TUBE SOCKETS

SK-1511
TUBE POSITIONER



SK-1500A



SK-1510A

These sockets are designed to be used with EIMAC tube types 8349/4CX35,000C, 8351/4CV100,000C, and 4CW100,000D, providing contact to the filament, control grid, and screen grid of the socketed tube.

Screen grid bypass capacitor components are available but must be ordered separately:

2300 pF Dielectric	- EIMAC P/N 149089	(one supplied)
Set of Insulator Bushings	- EIMAC P/N 149088	(six supplied)
1100 pF Dielectric	- EIMAC P/N 149090	(one supplied)
Set of Insulator Bushings	- EIMAC P/N 149088	(six supplied)

For a grounded-screen application the screen flange of the socket is mounted directly to the equipment chassis, using the eight 3/16-inch holes provided in the flange.

The SK-1500 has four guides mounted to the screen flange for proper centering of the tube. When in place, the tube is turned to engage a bayonet retainer in the base of the socket.

The SK-1510 has the four locating guides removed and includes a base tube positioner. With the tube set into place in the socket, this positioner engages the base of the tube and the positioner handle is then turned to pull the tube securely into the socket and retain it.

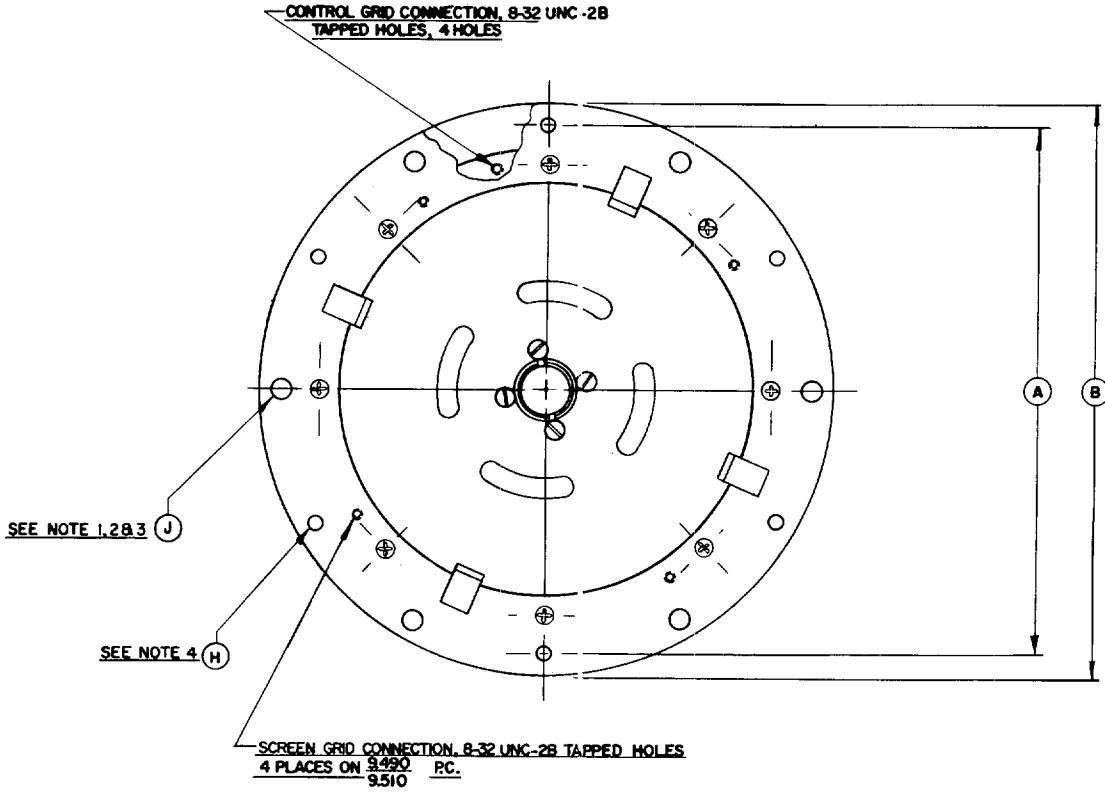
The special positioner is available separately as the SK-1511, and the SK-1500 socket, which does not include it, may be modified to include the positioner.

The SK-1500 and SK-1510 are not air-system sockets, since the anode-cooling air for a forced-air cooled tube, such as the 4CX35,000C, does not pass through the socket on its way to the anode. Base cooling of the tube in use is therefore accomplished by directing air across the socket, and both also include a central connection for an air hose for tube base cooling.

Tube contacts in both sockets are of heat-treated beryllium-copper alloy attached to brass support flanges. All metal parts are silver plated. The contact insulating material is high-temperature ceramic.



**SK-1500A, SK-1510A,
SK-1511**

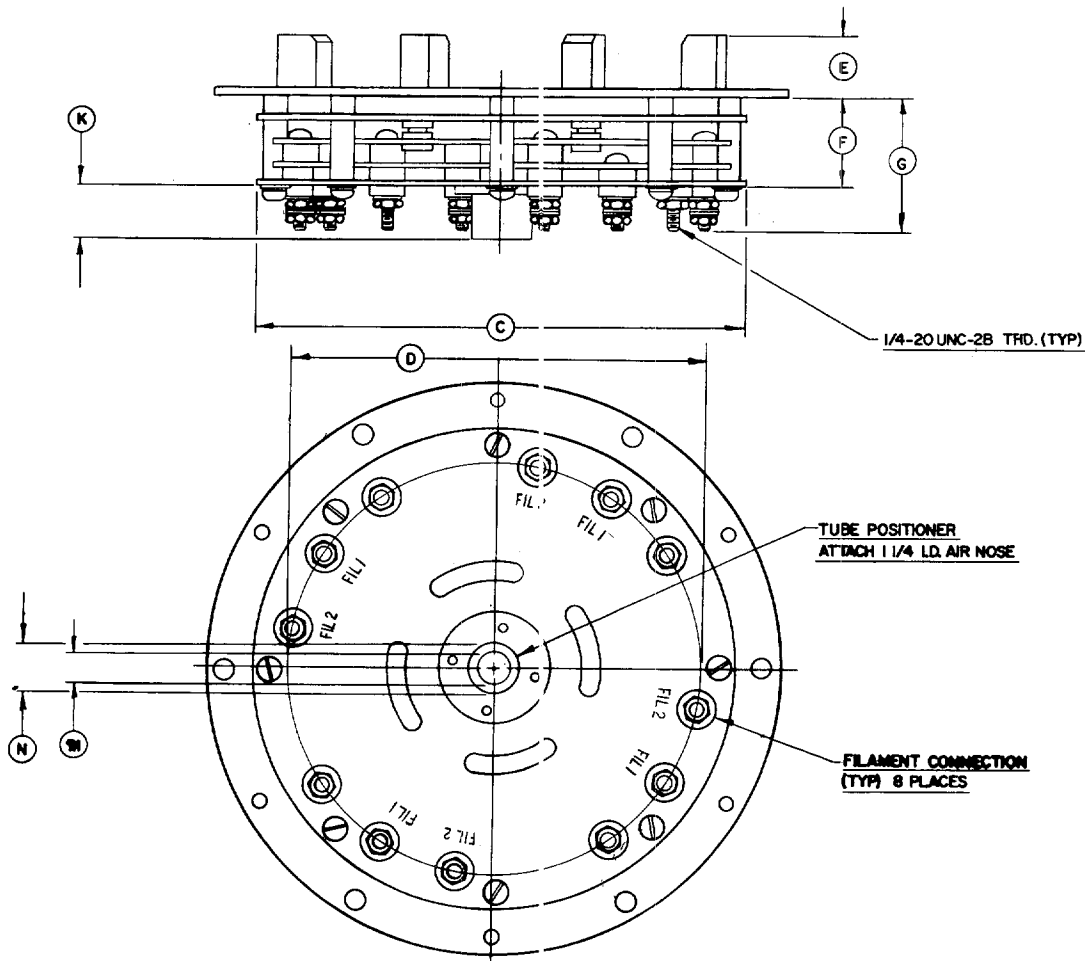


DIMENSIONAL DATA

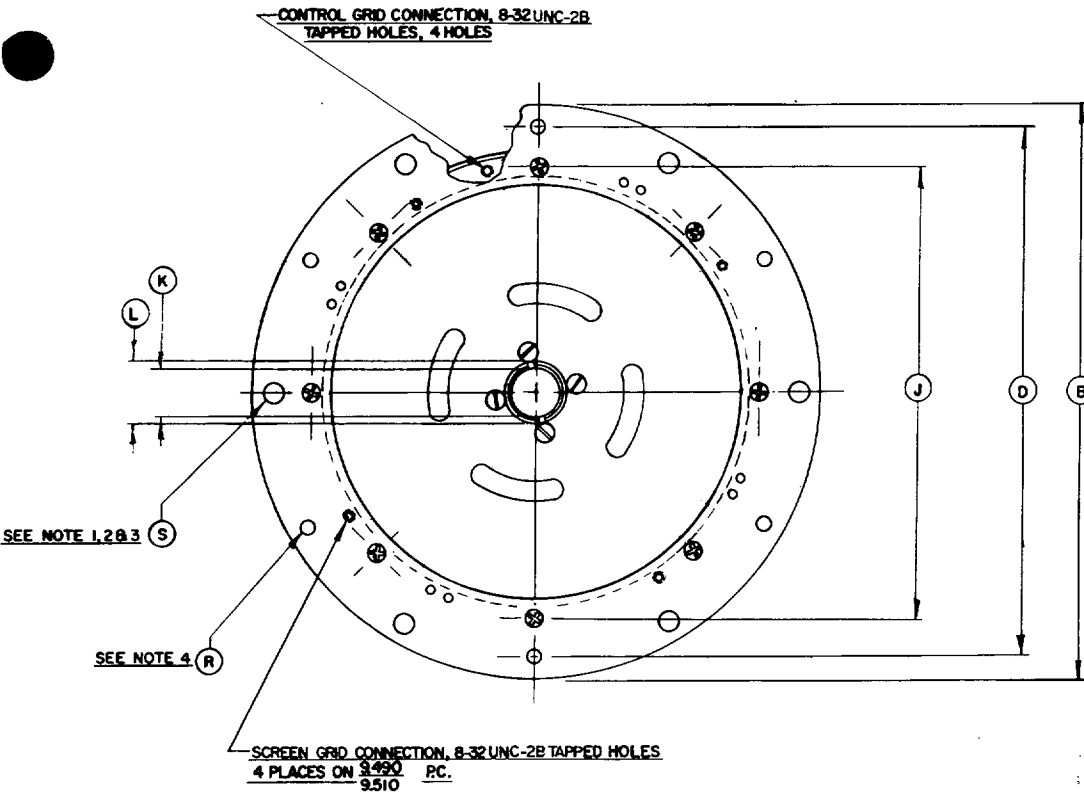
REF.	INCHES		MILLIMETERS	
	MIN.	MAX.	MIN.	MAX.
A	11.240	11.260	285.50	286.00
B	11.960	12.040	303.78	305.82
C	10.094	10.156	256.39	257.96
D	8.470	8.590	215.14	218.19
E	1.214	1.286	30.83	32.66
F	1.956	2.040	49.68	51.82
G	2.823	3.110	71.70	78.99
H	0.171	0.203	4.23	5.16
J	0.422	0.453	10.72	11.51
K	1.210	1.290	30.73	32.77
M	0.725	0.775	18.41	19.68
N	1.230	1.240	31.24	31.50

NOTES:

1. SCREEN BYPASS CAPACITOR COMPONENTS LISTED BELOW ARE OPTIONAL PARTS & MUST BE ORDERED SEPARATELY.
2. DIELECTRIC .005 THK. FOR APPROX. 2300 PFD. PART NO. 149089, ONE REQ'D. INSULATOR BUSHING PART NO. 149088 SIX REQ'D.
3. DIELECTRIC .010 THK. FOR APPROX. 1100 PFD. PART NO. 149090 ONE REQ'D. INSULATOR BUSHING PART NO. 149088 SIX REQ'D.
4. FOR GROUNDED SCREEN APPLICATION 8 SCREW IN 3/16 DIA. HOLES TO MOUNT SCREEN DIRECTLY TO CHASSIS.



SK-1500A

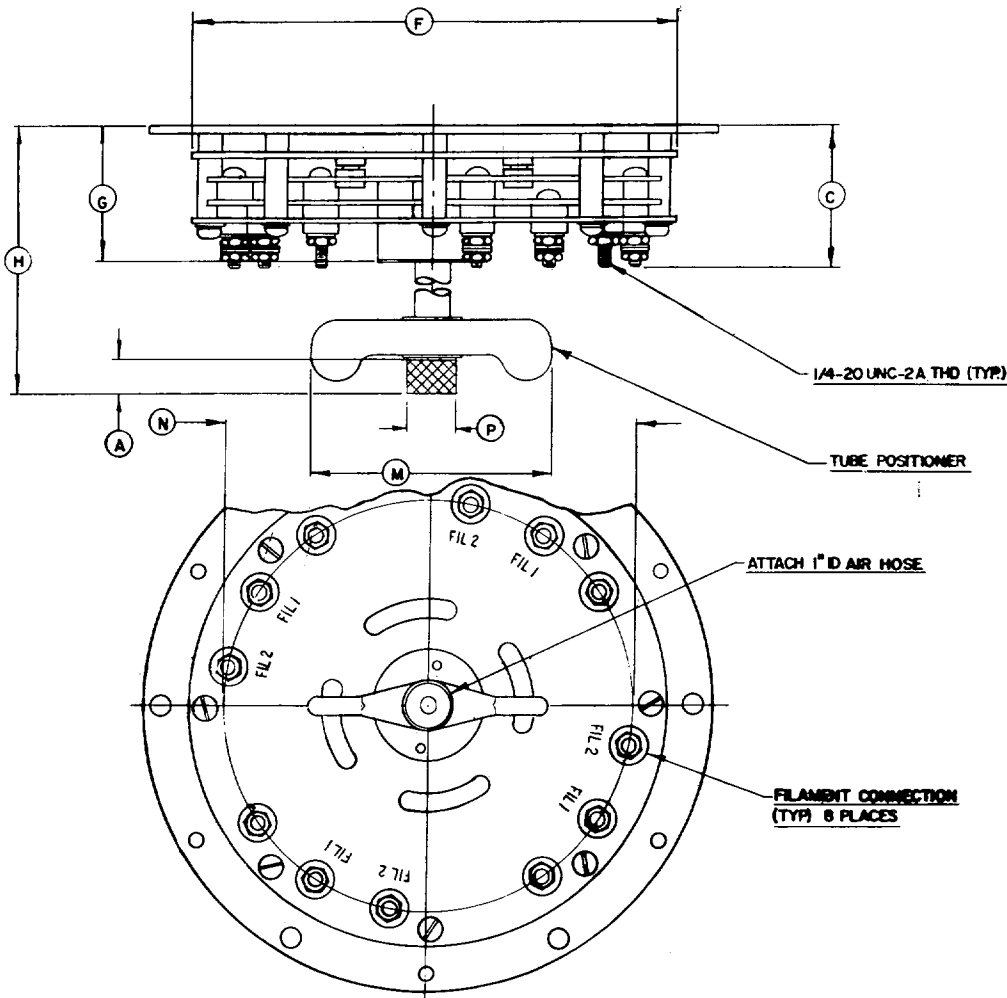


DIMENSIONAL DATA

REF.	INCHES		MILLIMETERS	
	MIN.	MAX.	MIN.	MAX.
A	0.725	0.775	18.41	19.68
B	11.960	12.040	303.78	305.82
C	2.941	3.241	74.70	82.32
D	11.240	11.260	285.50	286.00
F	10.094	10.156	256.39	257.96
G	2.799	2.946	71.09	74.83
H	4.500	6.312	114.30	160.32
J	9.400	9.410	238.76	239.01
K	0.912	0.962	23.16	24.43
L	1.230	1.240	31.24	31.50
M	4.875	5.125	123.82	130.17
N	8.470	8.590	215.14	218.19
P	0.984	1.016	24.99	25.81
R	0.171	0.203	4.34	5.16
S	0.422	0.453	10.72	11.51

NOTES:

1. SCREEN BYPASS CAPACITOR COMPONENTS LISTED BELOW ARE OPTIONAL PARTS, AND MUST BE ORDERED SEPARATELY.
2. DIELECTRIC .005 THICK FOR APPROX. 2300 PFD; PART NO. 149089, ONE REQD., INSULATOR BUSHING, PART NO. 149088, SIX REQD.
3. DIELECTRIC .010 THK. FOR APPROX. 1100 PFD, PART NO. 149090, ONE REQD., INSULATOR BUSHING, PART NO. 149088, SIX REQD.
4. FOR GROUNDED SCREEN APPLICATION, 8 SCREWS IN 3/16 DIA. HOLES, TO MOUNT SCREEN DIRECTLY TO CHASSIS.
5. REF. DIMENSIONS ARE FOR INFO. ONLY & ARE NOT REQUIRED FOR INSPECTION PURPOSES.



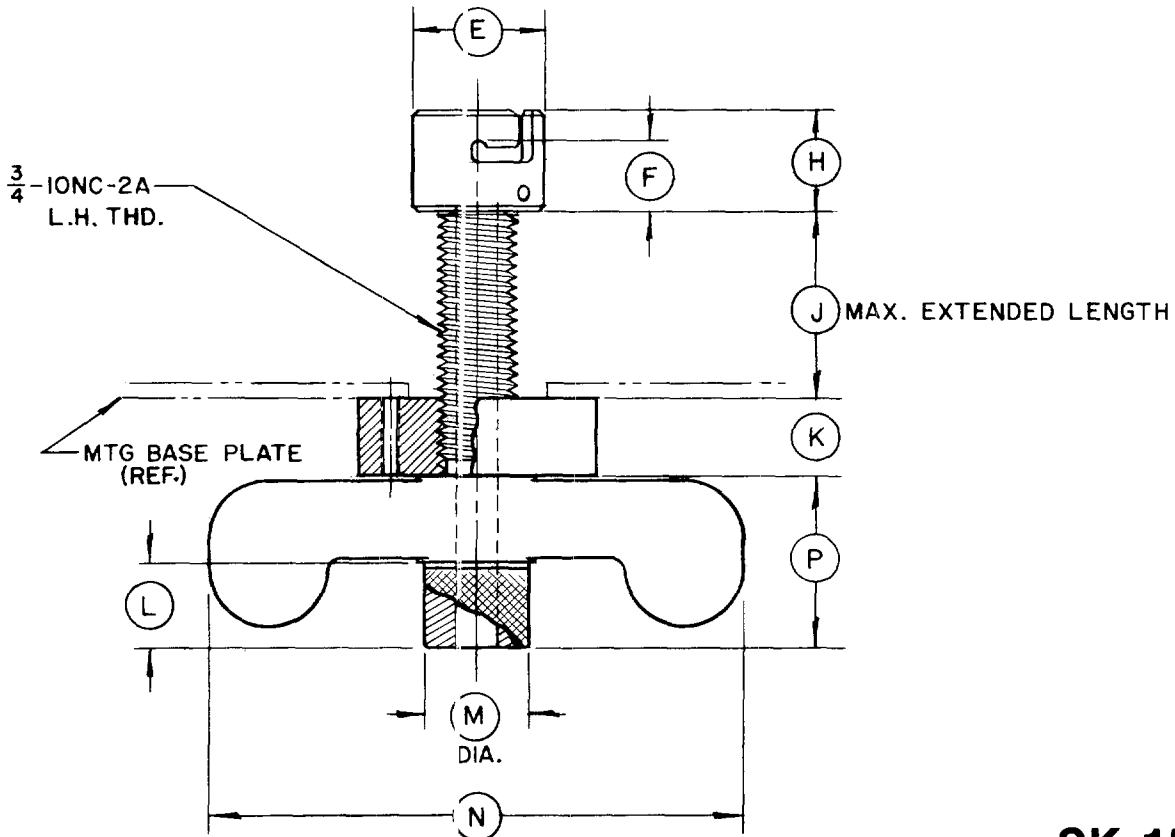
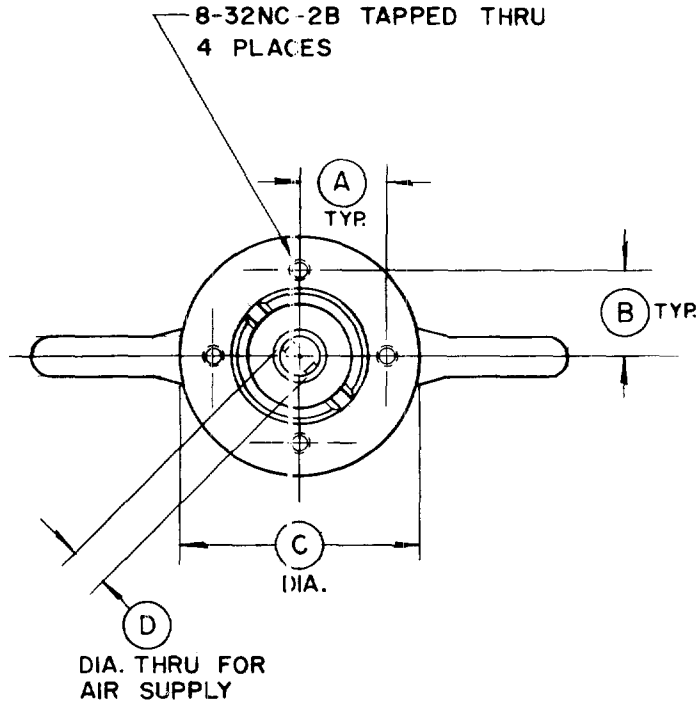
SK-1510A



SK-1500A, SK-1510A,
SK-1511

DIMENSIONAL DATA

REF.	INCHES		MILLIMETERS	
	MIN.	MAX.	MIN.	MAX.
A	.807	.817	20.50	20.75
B	.807	.817	20.50	20.75
C	2.234	2.266	56.74	57.56
D	.370	.380	9.40	9.65
E	1.230	1.240	31.24	31.50
F	.698	.739	17.73	18.77
H	1.109	1.141	28.17	28.98
J	1.745	1.815	44.32	46.10
K	.734	.766	18.64	19.46
L	.787	.837	19.99	21.26
M	.984	1.016	24.99	25.81
N	4.953	5.047	125.81	128.19
P	1.596	1.648	40.54	41.86



NOTES:

1. CONNECT AIR SUPPLY TUBING OVER (M) DIA.

SK-1511